

Ecosy630/930 Infant Warmer

New Comprehensive Neonatal Nursing Platform



Advanced Features

- 10.4 inch LCD touch screen with knob
- Night and day model switches
- Low lightness far infrared ceramic heating lamp
- Ambient noise and light level display
- Hand free alarms silence
- Integrated Spo2 function
- Integrated weight scale and resuscitation

Thermal conduction gel mattress

Environmental silicon gel, with great biocompatibility
Soft and comfortable, great thermo performance
Anti-bacterium, easy to clean and disinfect as well as reduce bedsores



Warm and Caring

Far infrared ceramic heating tube

Utilize Elstein far infrared ceramic heating tube, which greatly improve the radiation efficiency and extend the duration.

Perfect to be absorbed by skin and effectively accelerate blood circulation, by which the visceral temperature and body surface temperature rise simultaneously in short time.

Double heating tube design accelerate the heating rate and ideally distribute the heat on the surface even the mattress is tilted, which provides warm and comfortable for neonatal.

Apply high-accurate double thermistor temperature sensor and increase its accuracy of temperature monitoring.

Evotec Electronics

658 Alouette Street, Elarduspark, Pretoria, South Africa

Tel: +27 12 345 1176 email: sales@evotec.co.za

Ergonomic Design

Simplify operation, improve efficiency, and save valuable time for medical staff.

Hands-free Alarm Silence

It's able to eliminate the alarm sound just by waving your hand in front of the sensor without touching the machine; help you maintain a clean, quiet and warm nursing environment, and effectively prevent the occurrence of hospital infection.

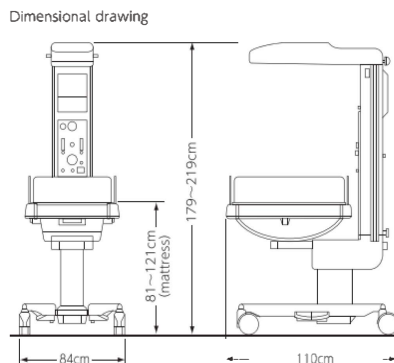


Self-adaptive Brightness Adjustment Touch Screen

10.4-inch color LCD touch screen
Centralized display of all neonatal waveforms and data for easy viewing and operation
Ambient light sensor, automatically adjusted screen brightness

Standard Configurations

| | |
|-------------------------|--|
| Power requirements | Customer specified Power consumption : 700VA (Maximum) |
| Heater capacity | 550W |
| Dimensions | 84(W) X 110(D) X 178-218(H)cm (Mattress surface : 80-120cm) |
| Weight | 100kg |
| Temperature control | Servo control (Manual control also available) |
| Skin temperature | Setting range : 34.0-38.0°C |
| | Display range : 30.0-41.0°C |
| Heater output | Setting range : 0-100% (in 5% increments) |
| | Indication range : 0-100 (in 10 levels) |
| Timer | Time display range : 0-60minutes 00 seconds (in 1 second increments) |
| | APGAR mode /CPR mode switchable |
| Lighting | LED lamp Adjustable illumination intensity 0-1200lux |
| Mattress platform angle | Inclination angle (back and forth) : +13° ~ -13° |



Optional functions

| | |
|--------------------------------------|---|
| Height Adjustment | Up to 0 cm |
| Weight Scale | |
| Weight range | 300 g to 8 kg |
| Weight display resolution | 1 g |
| Weight accuracy | +/-10 g |
| Pulse Oximeter Unit | |
| Display range | 1-100% SpO ₂ |
| SpO ₂ alarm setting range | Upper limit : 0-99% (in 1% increment) |
| | Lower limit : 4 - 9 % (in 1% increment) |
| Pulse rate display range | 2 - 40bpm |
| Pulse rate alarm setting range | Upper limit : 80- 40bpm. OFF |
| | Lower limit : 3 -180bpm. OFF (in bpm increments) |
| Alarms | SpO ₂ high/low limit, pulse rate high/low limit, SpO ₂ sensor |
| Resuscitation unit | |
| Manometer | Pressure indication : -2 ~ 8 kPa (-20 ~ 80cmH ₂ O) |
| Suction unit | Suction pressure control range : 0 ~ 6. kPa (0 ~ 200mmHg) |
| O ₂ Blender | Oxygen concentration control range : ±1 ~ 100% |
| | Oxygen flow rate control range : 0 ~ 1 L/min. |
| Resusc-flow unit | PMAX setting range : 19 ~ 8 kPa (0 ~ 60cmH ₂ O) |
| | Default setting range : 39 kPa (40cmH ₂ O) |
| Storage/Shipping Information | |
| Temperature | -2 ° to 60° C |
| Humidity | 0 to 9 % RH |

Evotec Electronics

658 Alouette Street, Elarduspark, Pretoria, South Africa

Tel: +27 12 345 1176 email: sales@evotec.co.za